

**SPECIFICATIONS FOR VALVE BOXES**

**10-20**

**REVISED DECEMBER 2011**

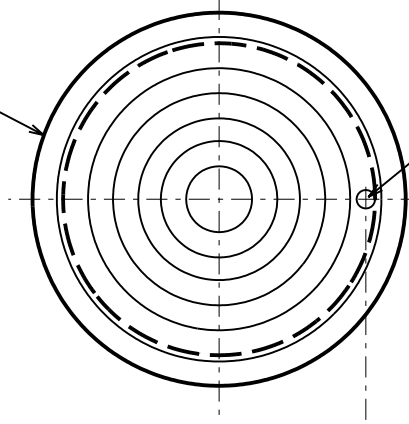
**1. SCOPE**

This specification covers cast-iron valve box assemblies.

**2. GENERAL REQUIREMENTS**

- a) Each valve box assembly shall be of cast-iron and shall consist of a base, top section, and lid as shown on San Antonio Water System Standard Drawing No.DA-56-00.
- b) Valve boxes shall be of a single size with a nominal diameter of 6 inches.
- c) The valve box lid shall be labeled "water" and shall be so designed so that it will remain firmly seated in place when subjected to vehicular traffic.
- d) The valve box assembly shall be of sufficient toughness and strength to withstand impact loads and shock resulting from vehicular traffic.
- e) The valve box assembly shall be coated with a standard bituminous coating of either coal tar or asphalt basic applied to all inside and outside surfaces.

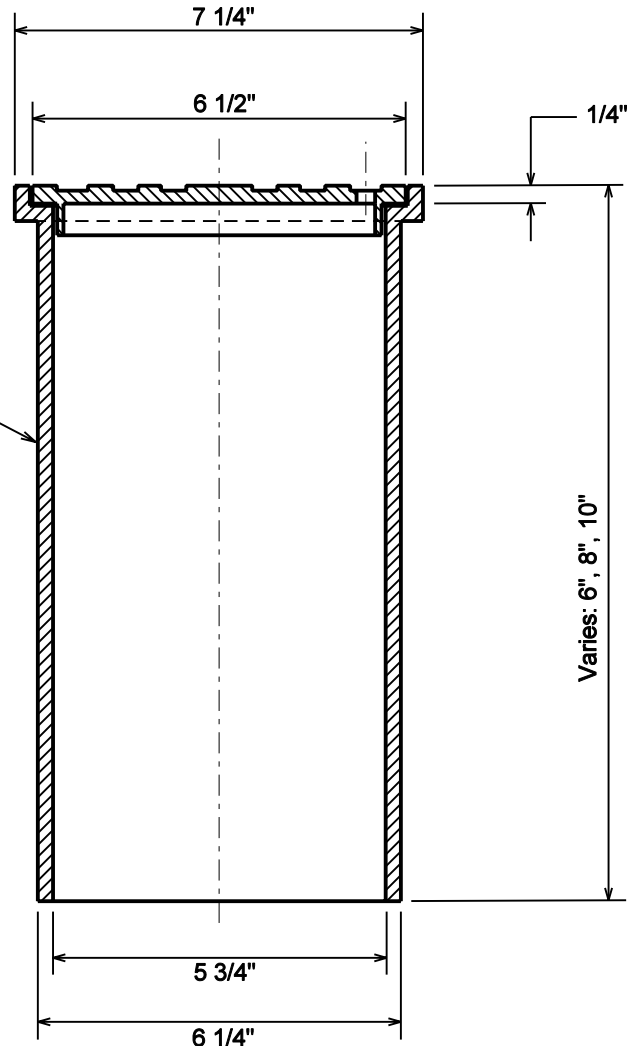
Cast Iron Lid



3/8" Ø Pick Hole

LID DETAIL

Cast Iron Box



BOX DETAIL

PROPERTY OF  
**SAN ANTONIO WATER SYSTEM**  
SAN ANTONIO, TEXAS

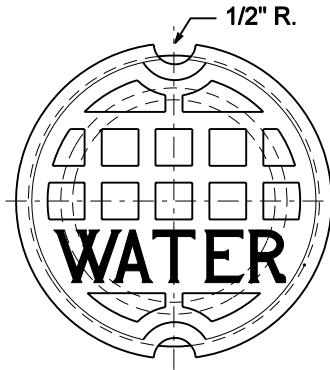
**CUSTOMER CUT OFF  
VALVE BOX**

APPROVED  
FEBRUARY 2000

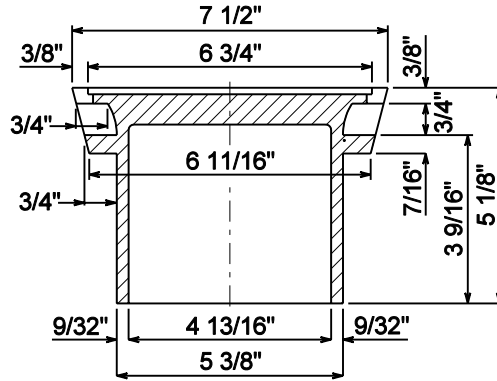
REVISED

**DA-018-00**

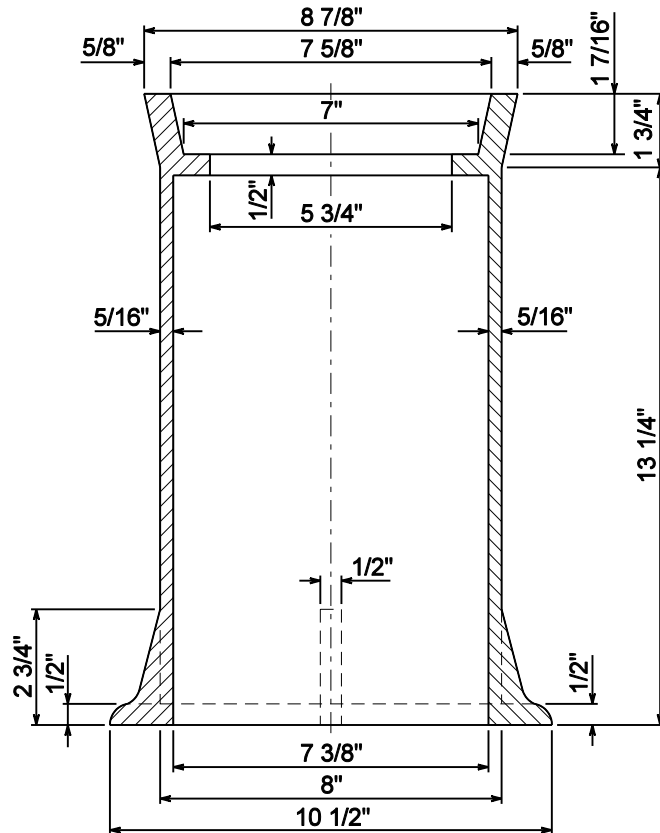
SHEET  
1 OF 1



**PLAN VIEW OF TOP SECTION COVER**

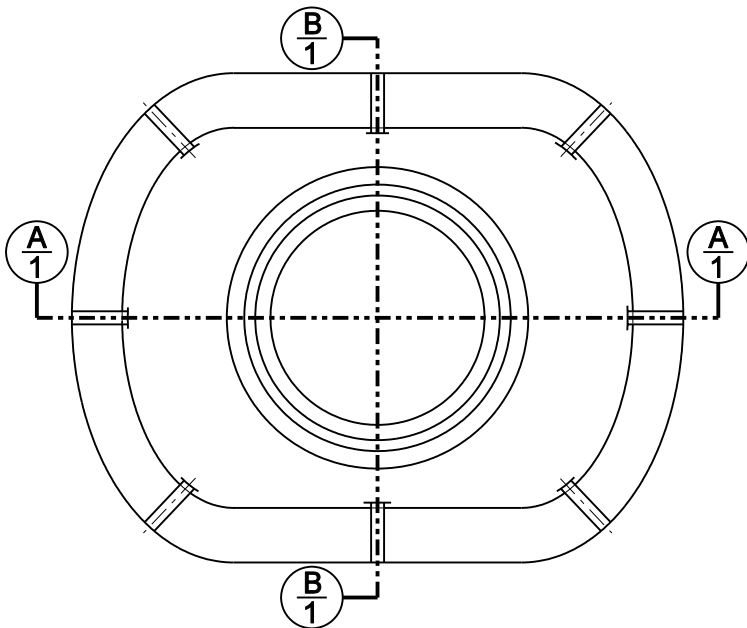


**SIDE VIEW OF TOP SECTION COVER**

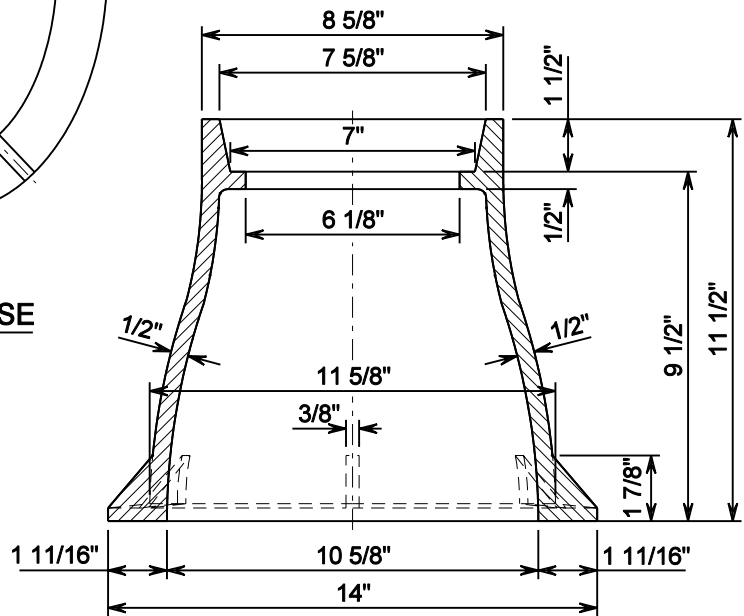


**SIDE VIEW OF TOP SECTION**

PROPERTY OF <b>SAN ANTONIO WATER SYSTEM</b> SAN ANTONIO, TEXAS	<b>6" VALVE BOX          ASSEMBLY</b>	APPROVED	REVISED
		FEBRUARY 2000	
		<b>DA-056-00</b>	SHEET <b>1</b> OF 2



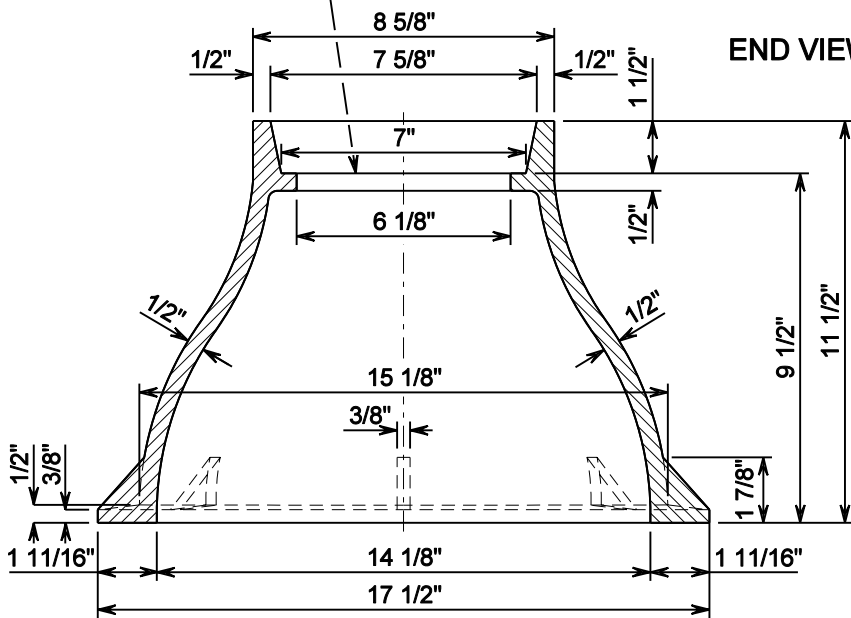
**PLAN VIEW OF VALVE BOX BASE**



**SECTION - B**

**END VIEW OF VALVE BOX BASE**

This ledge to support a 6" pipe having an O.D. of 6.90".



**SECTION - A**

**SIDE VIEW OF VALVE BOX BASE**

PROPERTY OF  
**SAN ANTONIO WATER SYSTEM**  
SAN ANTONIO, TEXAS

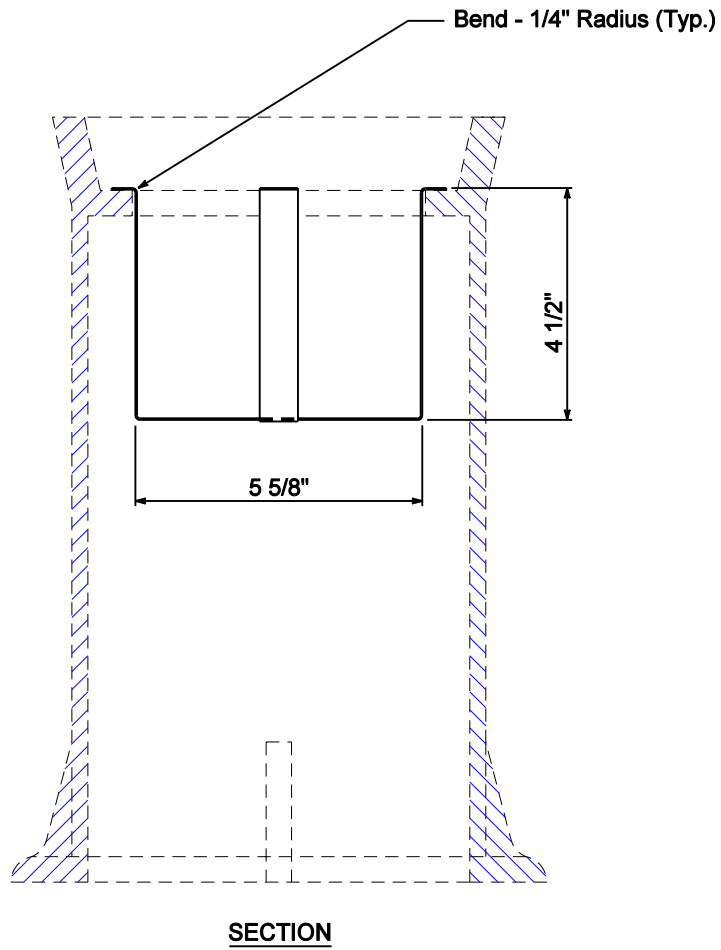
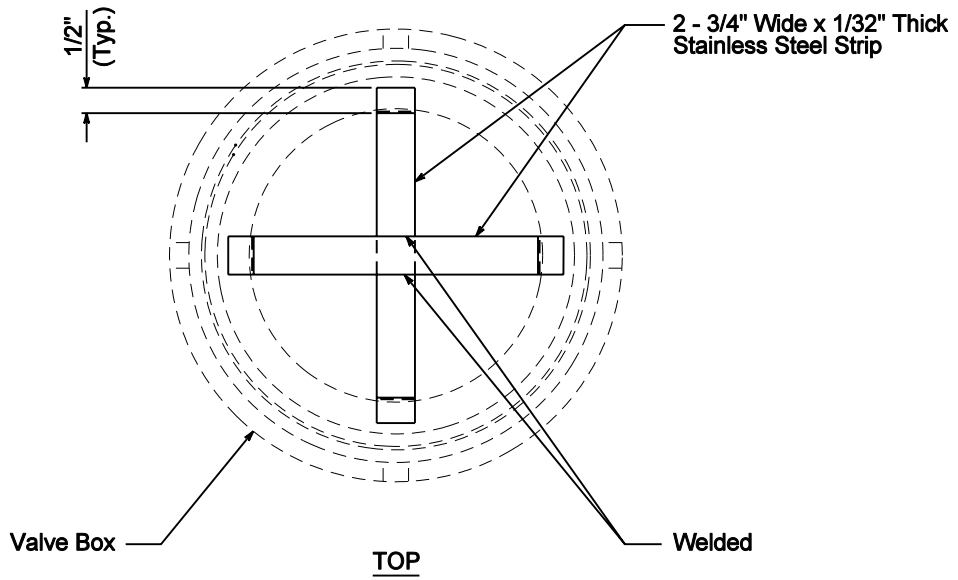
**6" VALVE BOX  
ASSEMBLY**

APPROVED  
FEBRUARY 2000

REVISED

**DA-056-00**

SHEET  
2 OF 2



PROPERTY OF  
**SAN ANTONIO WATER SYSTEM**  
 SAN ANTONIO, TEXAS

**CLOSED VALVE  
 INDICATOR**

APPROVED  
 JULY 2000

REVISED

**DA-056-01**

SHEET  
 1 OF 1